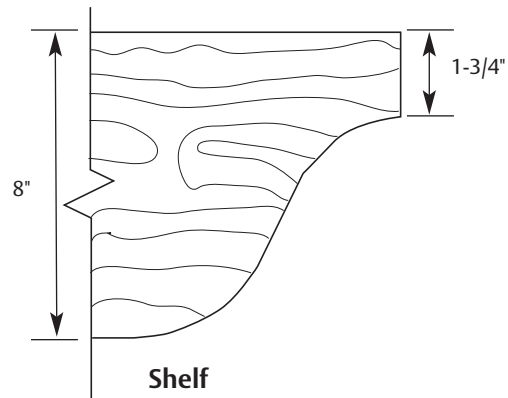
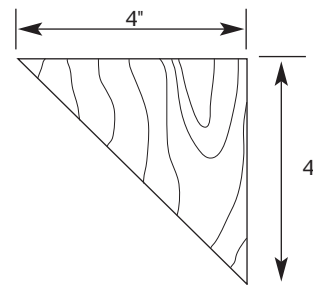
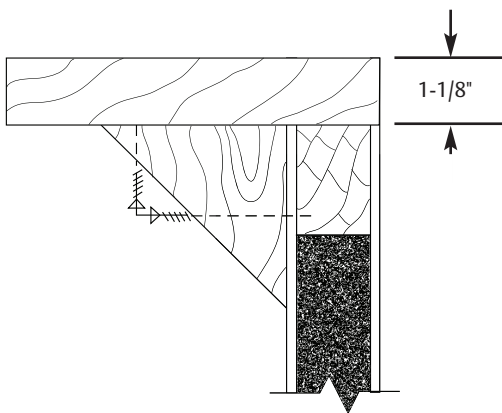


**General Notes**

1. Allow for shelf thickness when specifying hardware.
2. Standard shelf is 1.125" (28 mm) thick **wood**, 1 side only.
3. Standard **wood** shelf sits between leaves.
4. Shelf and supports are **not** factory installed.
5. Note if shelf is not required.
6. Note if other than standard shelf is required.
7. Dutch doors are available in GPD and GCD bonded construction only.
8. GPD has matching bottom rail in top leaf. GCD has non-matching bottom rail in top leaf.
9. Dutch doors are available in single openings up to 4'0" x 8'0". Dutch doors are available in paired openings up to 8'0" x 8'0".

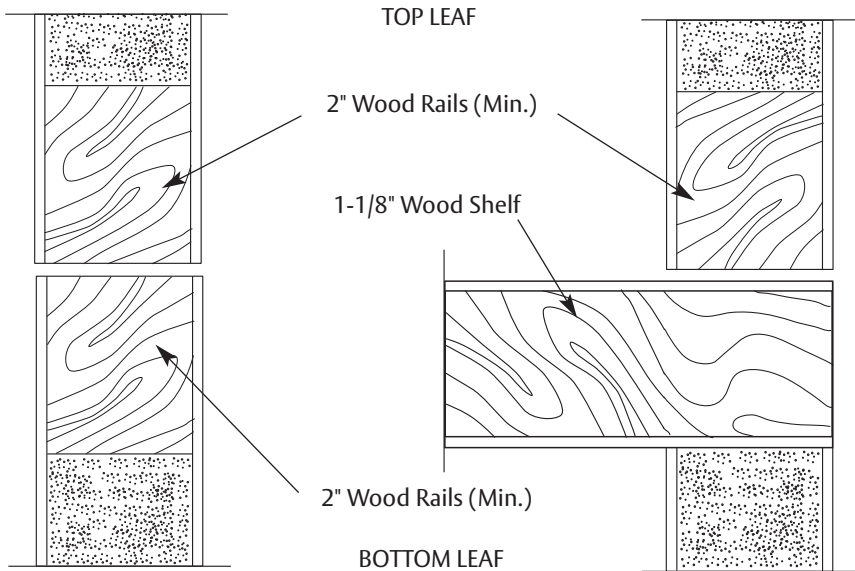


**Shelf**



**Shelf Bracket**

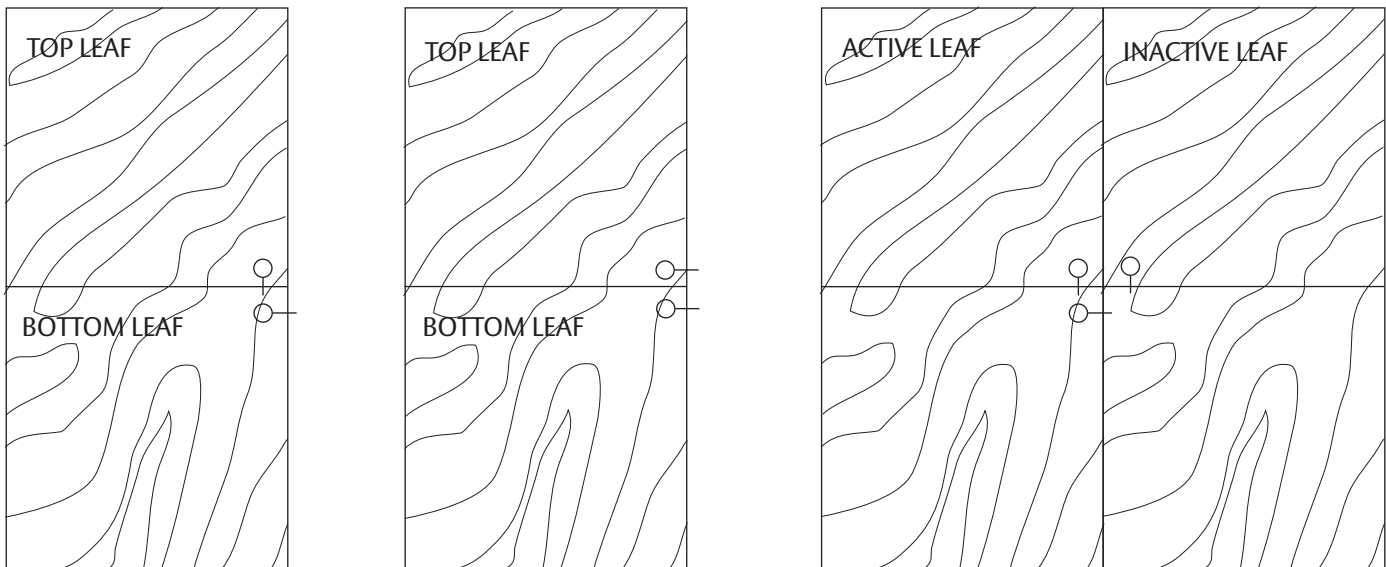
NON RATED DUTCH DOOR



**General Notes**

1. Dutch doors may be provided with:
  - a. Straight cut meeting edges of top and bottom leaf.
  - b. Rabbeted meeting edges of top and bottom leaf.
2. Standard clearance between top leaf and bottom leaf of Dutch doors is 3/16".
3. Dutch door latching may be cylindrical, mortise or flushbolt latches that latch:
  - a. top leaf into bottom leaf, bottom leaf into frame.
  - b. top leaf into bottom leaf, top leaf into frame
  - c. top leaf into frame, bottom leaf into frame.

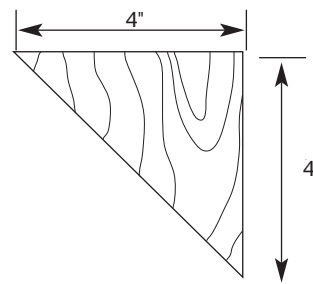
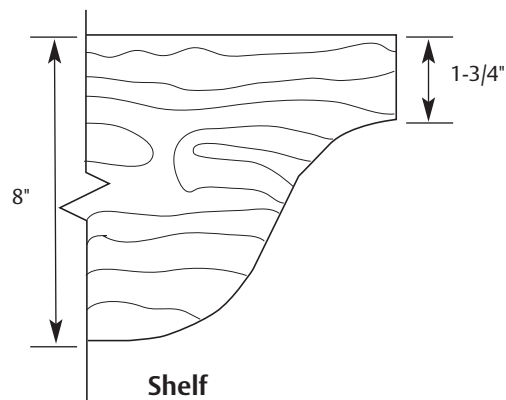
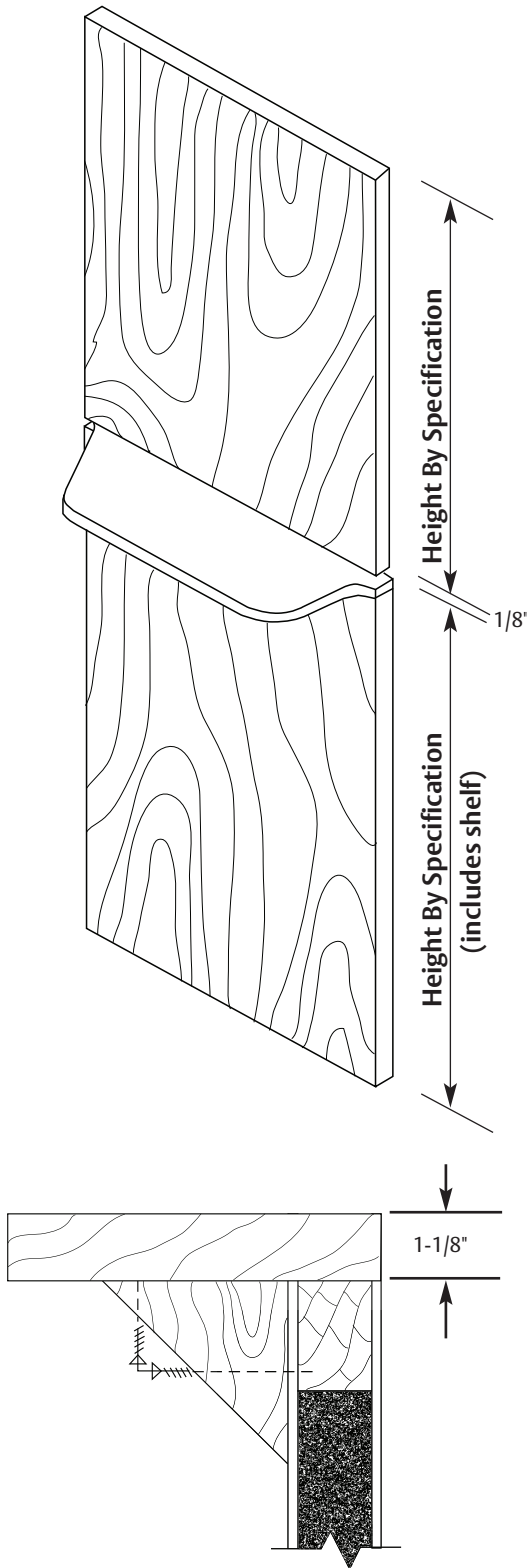
EXAMPLE OF LATCHING CONFIGURATION



PAIR OF DUTCH DOORS

**General Notes**

1. Allow for shelf thickness when specifying hardware.
2. Standard shelf is 1.125" (28 mm) thick **wood**, 1 side only.
3. Standard **wood** shelf sits between leaves.
4. Shelf and supports are **not** factory installed.
5. Note if shelf is not required.
6. Note if other than standard shelf is required.
7. Dutch doors are available in GPD and GCD bonded constructions only.
8. GPD has **Firestop** bottom rail in top leaf, **Firestop** top rail in bottom leaf. GCD has **Firestop** bottom rail in top leaf, **Firestop** top rail in bottom leaf.
9. Dutch doors are **not** available in 90 minute neutral pressure tested construction.
10. Positive pressure fire tested Dutch door constructions are **not** available.
11. Dutch doors are available in 20 minute fire rated single openings up to 4'0" x 8'0".
12. Dutch doors are available in 20 minute fire rated paired openings up to 8'0" x 8'0".



# 8 Dutch Door (20 Minute Fire Rated)

## Technical Manual

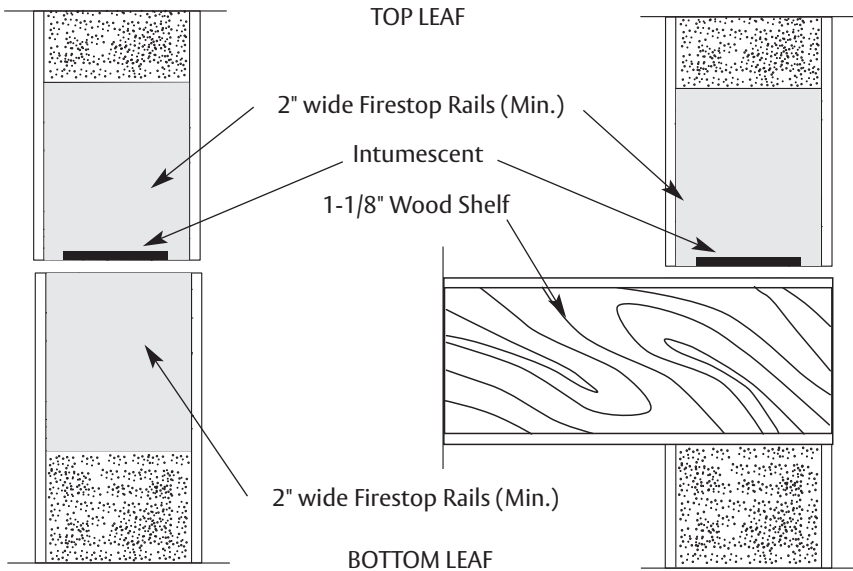
June, 2008

**Graham**  
wood doors

**ASSA ABLOY**

ASSA ABLOY, the global leader  
in door opening solutions

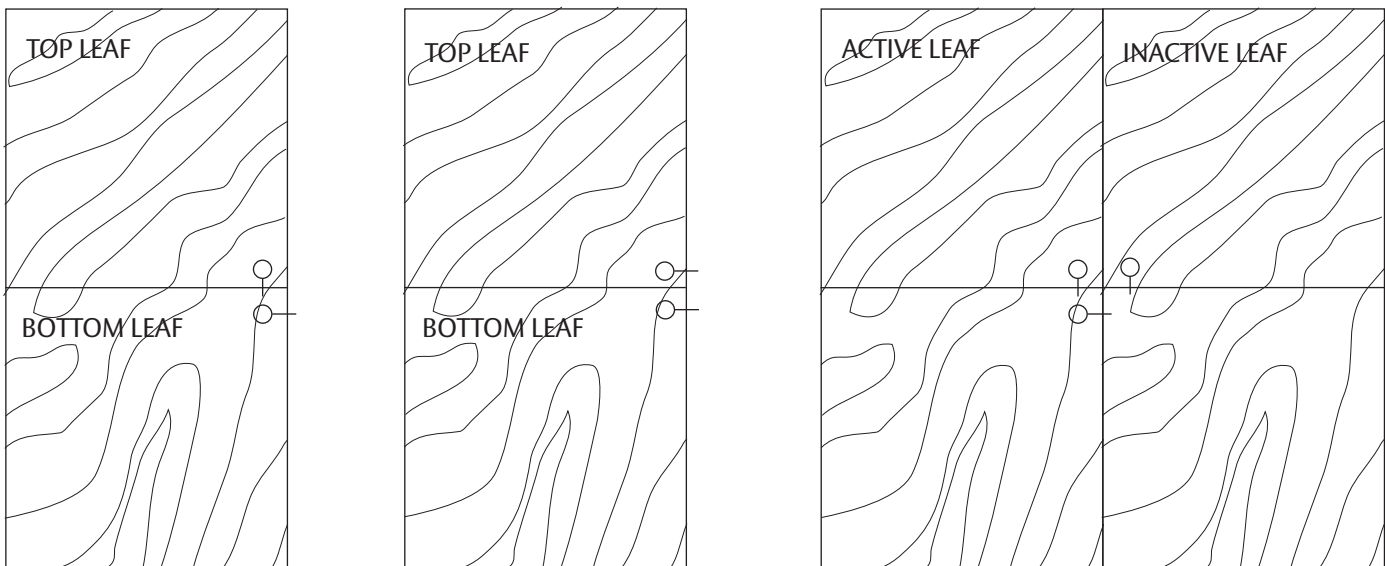
### 20 MINUTE DUTCH DOOR



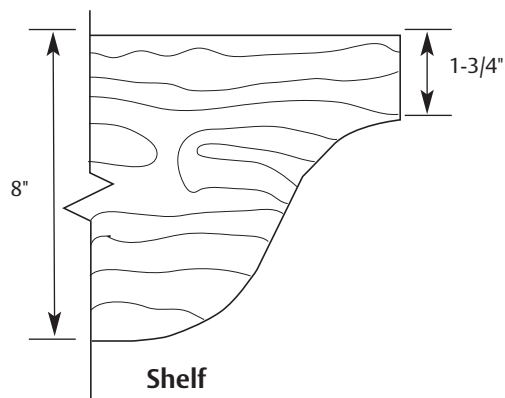
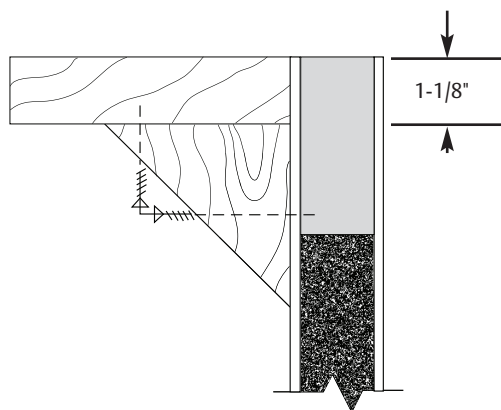
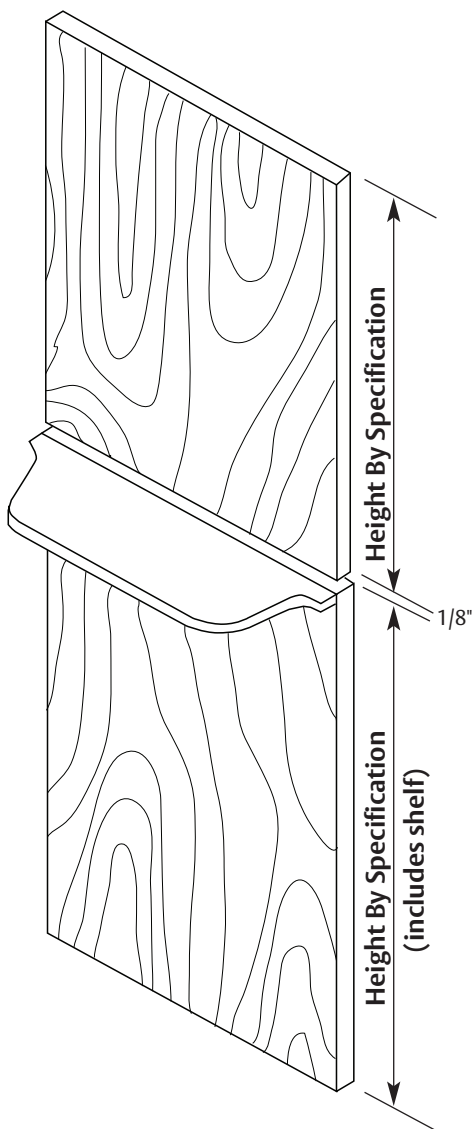
### General Notes

1. 20 minute Dutch doors shall be provided with one of these:
  - a. An overlapping astragal applied to the bottom rail of the top leaf.
  - b. Intumescent fire seal installed in the bottom rail of the top leaf.
  - c. Standard wood shelf sits between leaves.
2. A maximum 1/8" (3.2 mm) clearance between top leaf and bottom leaf of fire rated Dutch doors is allowed.
3. Fire rated dutch doors require both leaves to be self latching. Leaf to leaf or leaf to frame.
4. Fire rated Dutch door latching is limited to cylindrical or mortise latches that latch:
  - a. Top leaf into bottom leaf, bottom leaf into frame.
  - b. top leaf into bottom leaf, top leaf into frame.
  - c. Top leaf into frame, bottom leaf into frame.
5. Flushbolts are allowed on the inactive leaves of a pair.

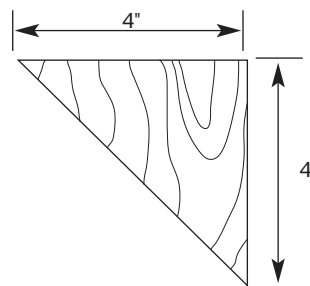
### EXAMPLE OF LATCHING CONFIGURATION



### PAIR OF DUTCH DOORS



Shelf



Shelf Bracket

**General Notes**

1. Allow for shelf thickness when specifying hardware.
2. Standard shelf is 1.125" (28 mm) thick **wood**, one side only.
3. Standard **wood** shelf butts to face of bottom leaf.
4. Shelf and supports are **not** factory installed.
5. Note if shelf is not required.
6. Note if other than standard shelf is required.
7. Dutch doors are available in GPD and GCD bonded construction only.
8. GPD has **Firestop** bottom rail in top leaf, **Firestop** top rail in bottom leaf. GCD has **Firestop** bottom rail in top leaf, **Firestop** top rail in bottom leaf.
9. Dutch doors are **not** available in 90 minute neutral pressure tested construction.
10. Positive pressure fire tested Dutch door constructions are **not** available.
11. Dutch doors are available in 45/60 minute fire rated single openings up to 4'0" x 8'0".
12. Dutch doors are not available in 45/60 minute fire rated paired openings.

# 10 Dutch Door (45/60 Minute Fire Rated)

## Technical Manual

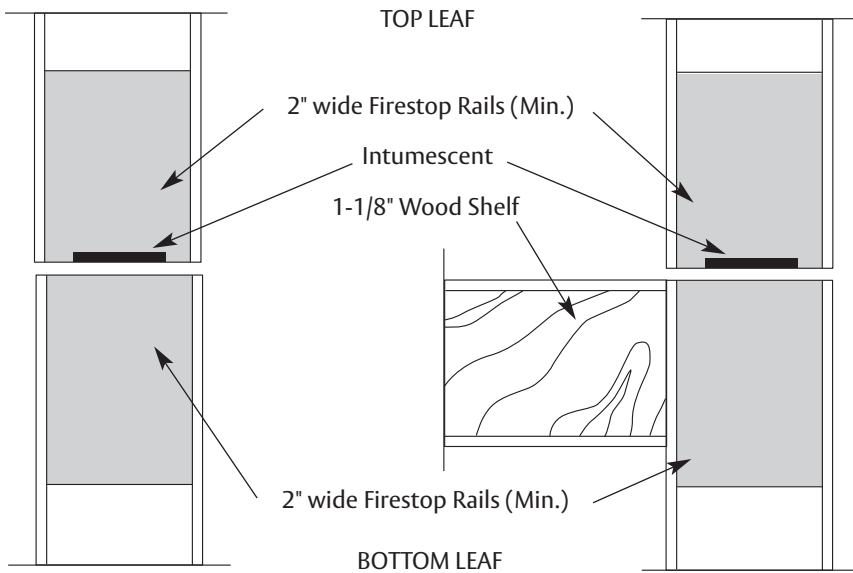
June, 2008

**Graham**<sup>™</sup>  
wood doors

**ASSA ABLOY**

ASSA ABLOY, the global leader  
in door opening solutions

### 45/60 MINUTE DUTCH DOOR



### General Notes

- 45/60 minute dutch doors shall be provided with one of these:
  - An overlapping astragal applied to the bottom rail of the top leaf.
  - Intumescent fire seal installed in the bottom rail of the top leaf.
- A maximum 1/8" (3.2 mm) clearance between top leaf and bottom leaf of fire rated Dutch doors is allowed.
- Fire rated Dutch doors require both leaves to be self latching. Leaf to leaf or leaf to frame.
- Fire rated dutch door latching is limited to cylindrical or mortise latchsets that latch:
  - Top leaf into bottom leaf, bottom leaf to frame.
  - Top leaf into bottom leaf, top leaf into frame.
  - Top leaf into frame, bottom leaf into frame.

### EXAMPLE OF LATCHING CONFIGURATION

